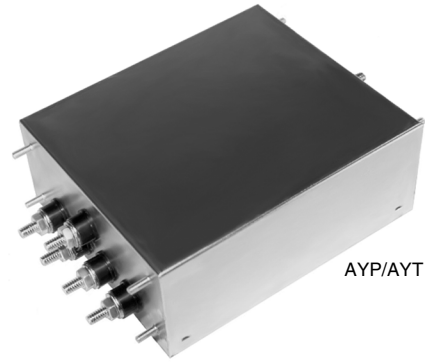


High Performance 3-Phase RFI Power Line Filters for WYE Applications

A Series



**UL Recognized
CSA Certified
VDE Approved**



A Series

The 3-phase filters are designed for 3-phase, four wire, WYE applications providing filtering in each of the three lines plus the neutral and ground line.

The 3-phase models feature:

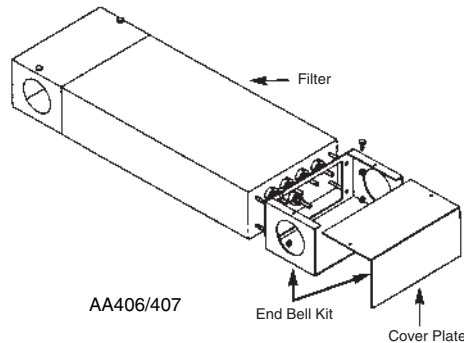
- Both common mode and differential mode suppression from 50 kHz to 30 MHz
- Effective for both balanced and unbalanced three phase loads
- Ground choke included
- Shielded construction

The dual stage AYT provides higher performance, while the single stage AYP is good for lower noise environments.

End Bell Mounting Accessories

Mounting brackets available in two sizes, 20/30 amp (AA400) and 45/60 amp (AA405).

End Bell mounting kit available in two sizes, 20/30 amp (AA406) and 45/60 amp (AA407).



Specifications

Maximum leakage current, each line-to-ground:

@ 120 VAC 60 Hz:	1.4 mA
@ 250 VAC 50 Hz:	3.4 mA

Hipot rating (one minute):

line-to-ground	1500 VAC
neutral-to-ground	1500 VAC
line-to-neutral	1450 VDC

Operating frequency:

50/60 Hz

Rated voltage:

phase-to-phase:	440 VAC
phase-to-neutral/ground:	250 VAC

Minimum insertion loss in dB:

Line-to-ground in 50 ohm circuit

Current Rating	Frequency - MHz							
	.05	.1	.15	.5	1	5	10	30
AYP6C								
20A	22	32	39	55	56	65	65	54
30A	15	24	30	55	55	61	63	50
45A	8	19	25	49	49	56	58	45
60A	5	16	22	50	50	54	54	47
AYT6C								
20A	45	63	70	75	75	75	75	65
30A	29	53	61	75	75	75	75	60
45A	15	36	43	75	75	75	75	50
60A	12	37	46	75	75	75	70	45

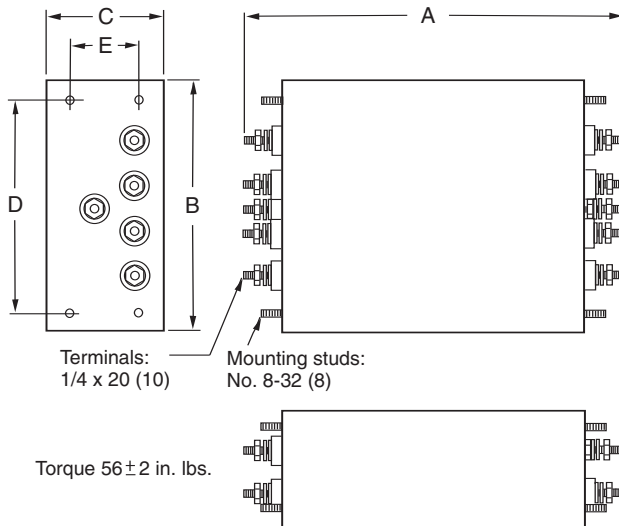
Line-to-line in 50 ohm circuit

Current Rating	Frequency - MHz							
	.05	.1	.15	.5	1	5	10	30
AYP6C								
20A	20	38	50	65	65	65	60	52
30A	18	28	43	65	65	65	59	48
45A	8	20	27	60	65	65	56	43
60A	20	24	27	60	65	65	56	50
AYT6C								
20A	27	56	65	70	70	70	70	70
30A	17	46	55	75	75	75	75	70
45A	14	41	50	75	75	75	75	65
60A	26	50	58	75	75	75	75	60

A Series

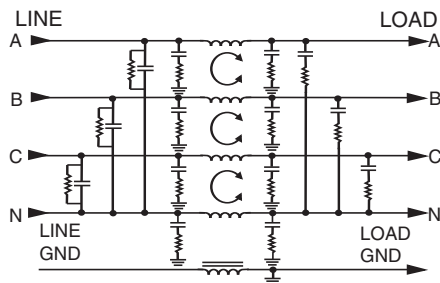
Case Style

AYP6C & AYT6C

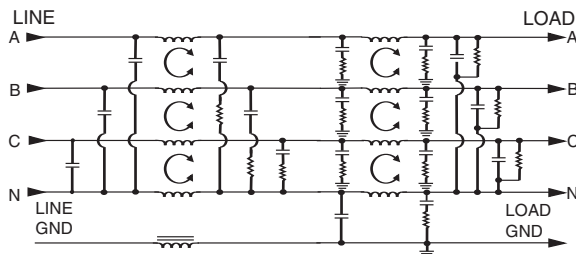


Electrical Schematics

AYP6C Models



AYT6C Models



Resistor location for reference only.

Case Dimensions

Part No.	A* (max)	B (max)	C (max)	D $\pm .030$ $\pm .76$	E $\pm .015$ $\pm .38$
20AYP6C	8.82 <i>224.0</i>	5.57 <i>141.5</i>	2.56 <i>65.0</i>	4.616 <i>117.2</i>	1.50 <i>38.1</i>
30AYP6C	8.82 <i>224.0</i>	5.57 <i>141.5</i>	2.56 <i>65.0</i>	4.616 <i>117.2</i>	1.50 <i>38.1</i>
45AYP6C	9.43 <i>239.5</i>	6.92 <i>175.8</i>	4.82 <i>122.4</i>	5.950 <i>151.1</i>	3.75 <i>95.3</i>
60AYP6C	9.43 <i>239.5</i>	6.92 <i>175.8</i>	4.82 <i>122.4</i>	5.950 <i>151.1</i>	3.75 <i>95.3</i>
20AYT6C	13.82 <i>351.0</i>	5.57 <i>141.5</i>	2.56 <i>65.0</i>	4.616 <i>117.2</i>	1.50 <i>38.1</i>
30AYT6C	13.82 <i>351.0</i>	5.57 <i>141.5</i>	2.56 <i>65.0</i>	4.616 <i>117.2</i>	1.50 <i>38.1</i>
45AYT6C	13.83 <i>351.3</i>	6.92 <i>175.8</i>	4.82 <i>122.4</i>	5.950 <i>151.1</i>	3.75 <i>95.3</i>
60AYT6C	13.83 <i>351.3</i>	6.92 <i>175.8</i>	4.82 <i>122.4</i>	5.95 <i>151.1</i>	3.75 <i>95.3</i>

* For end bell covering terminals and connections, add:

20A & 30A	$\frac{5.57}{141.48}$
45A & 60A	$\frac{6.45}{163.83}$

Part Numbers

20AYP6C	20AYT6C
30AYP6C	30AYT6C
45AYP6C	45AYT6C
60AYP6C	60AYT6C

Mounting Hardware

Mounting Bracket Kit with Captive Nuts:

- AA400 (20/30 Amp)
- AA405 (45/60 Amp)

End Bell Kit with Captive Nuts:

- AA406 (20/30 Amp)
- AA407 (45/60 Amp)

Additional Captive Nuts to Mount Filters:

- AA401 (10 Nuts)